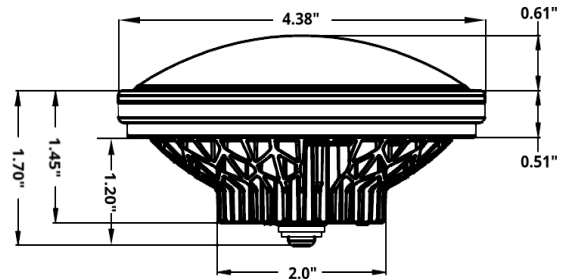
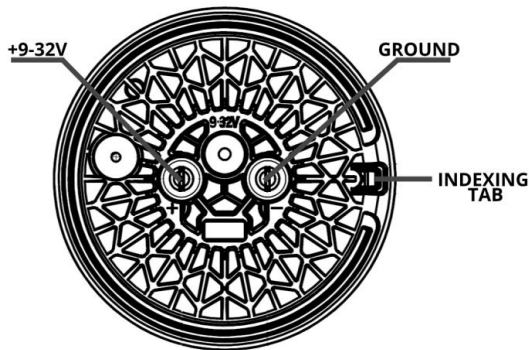


## Installation Instructions

PART #	STYLE	Application	Weight	VDC	Input Current
PAR36L201	PAR 36	Landing/Recognition	0.60 lbs.	10-30VDC	1.035a @ 14VDC / 0.52a @ 28VDC
PAR36TR1	PAR 36	Taxi/Recognition	0.60 lbs.	10-30VDC	1.035a @ 14VDC / 0.52a @ 28VDC



### INSTALLATION PROCEDURES:

- Verify your currently installed lamp is a PAR 36 / 4.5" diameter sealed beam lamp.
- Verify power is removed from the circuit before attempting installation.
- Remove existing lamp from fixture (retain all hardware for reassembly) and disconnect both wire leads from lamp.
- Verify that the wire size is sufficient for the current load of the replacement LED lamp.
- Install the leads onto the LED bulb with provided 8-32 machine screws such that the power wire is attached to the terminal marked "+", and the ground wire to the terminal marked "-".  
NOTE: The lamp will not sustain damage if wired in reverse; however it will not illuminate.
- Install new LED lamp into OEM light fixture with original hardware. If applicable, align the indexing tab on the rear of the lamp with the notch of the mounting fixture.  
NOTE: If installing Linear Flood version, PN: PAR36TR1, it is imperative that the Indexing Tab be positioned at either 3 o'clock or 9 o'clock position. This will ensure that the projected light beam is oriented parallel to the horizon.
- Perform functional check by placing the light switch in the ON position and verify proper operation AND orientation (PAR36TR4 only) of lamp.
- Test the full frequency spectrum of all radio equipment to verify no adverse interference due to EMI or RFI while the light is in the ON position.

### TROUBLESHOOTING

- LED does not illuminate when power applied:  
Verify polarity of power and ground leads. \*LED will not illuminate in wired reverse polarity.
- Polarity verified but LED does not illuminate:  
Use a volt meter to verify voltage measured at "+" terminal is >12VDC and < 30VDC. Verify "-" terminal has continuity to circuit ground.
- Input voltage and polarity verified but LED does not illuminate.  
Remove LED and test on bench with 12/28VDC power source. If LED fails to illuminate, replace with new.

### MAINTENANCE AND INSPECTION

- Periodically inspect LED to verify proper operation. If LED is found inoperative, follow troubleshooting procedure above.  
\*This lamp is a sealed assembly and has no serviceable parts. Lamp assembly must be replaced if inoperative.
- Periodically inspect lens for abnormalities: Lens should be kept clean from insects and other debris.  
\*Clean lenses with commercial acrylic cleaner/polish and microfiber towel. DO NOT clean with solvents.

### Wiring Diagram

